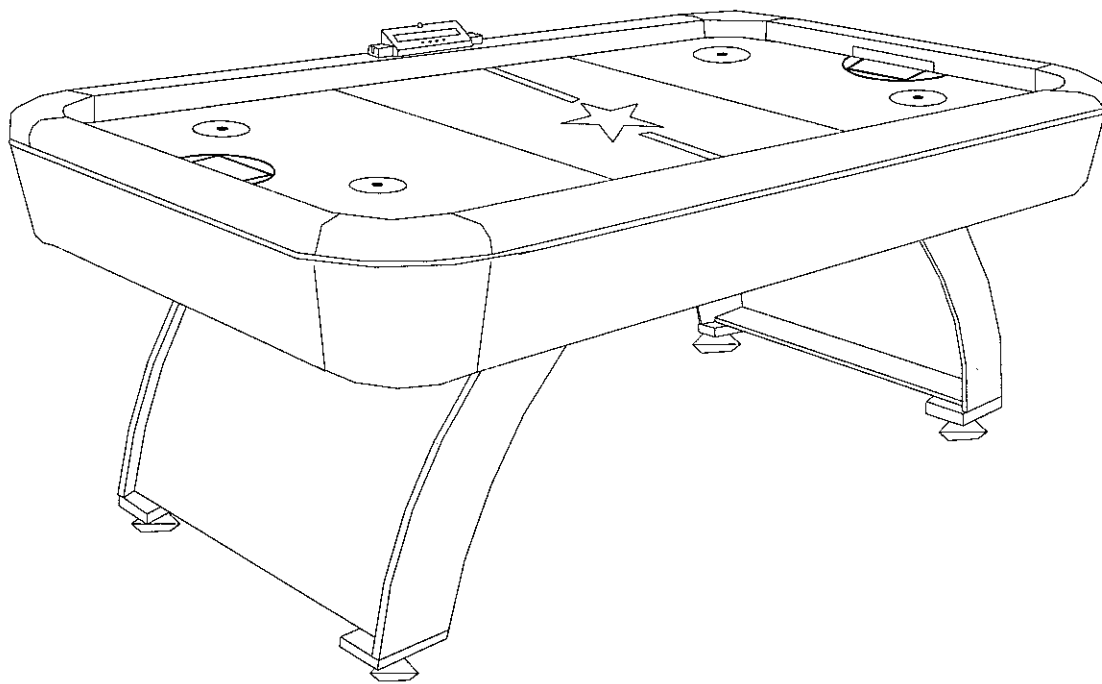


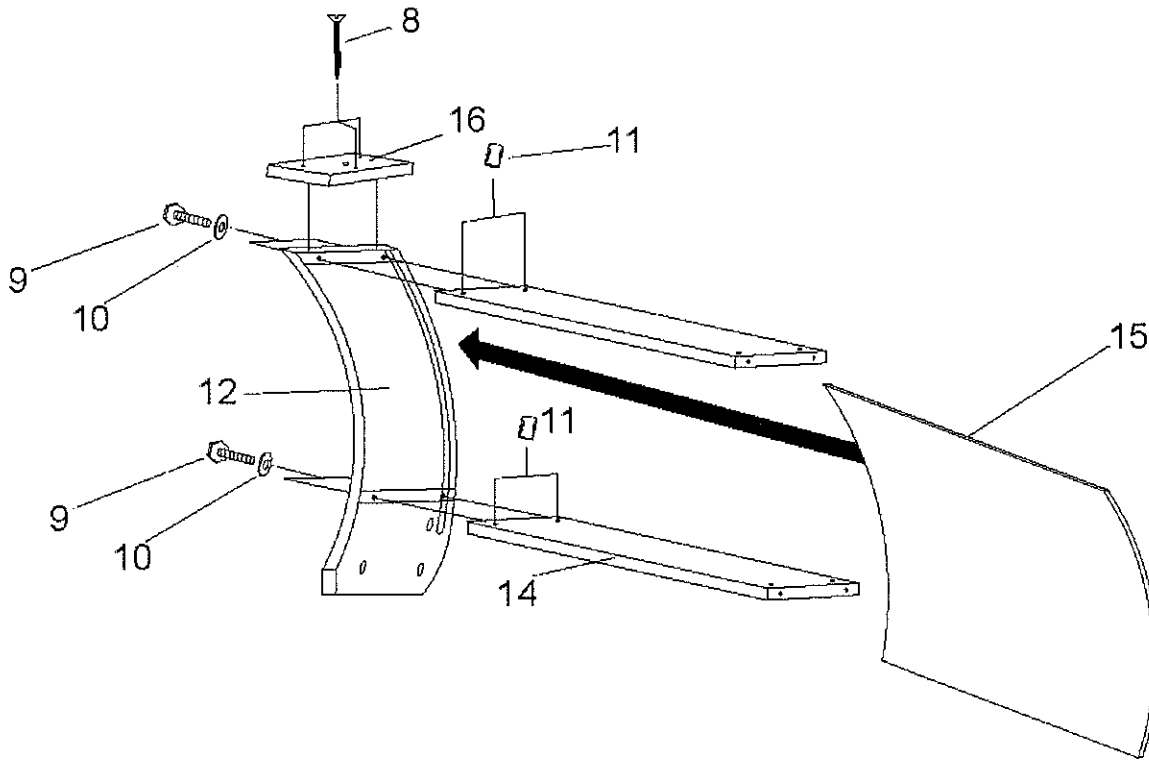


## 8' AIRHOCKEY TABLE



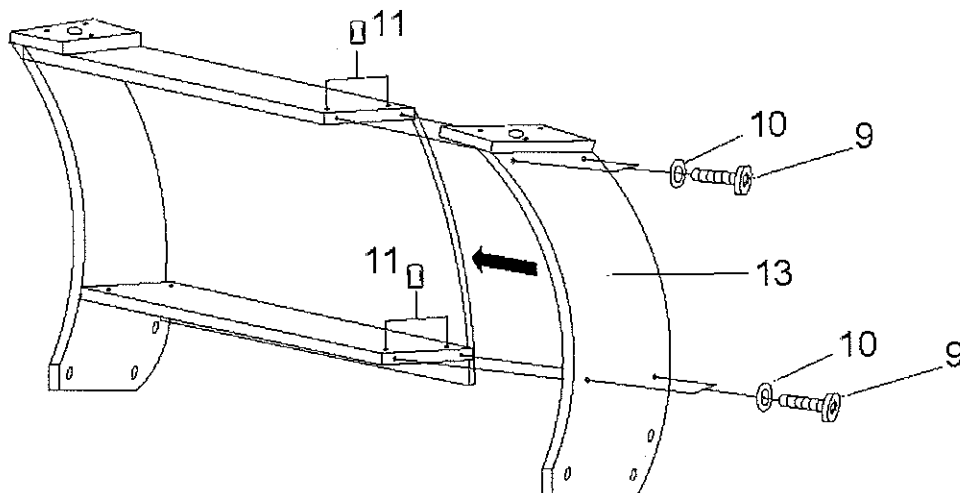
**STEP 1:**

- (1) Connect the stretcher (#14) with legs (#12), by using bolts (#9) with washers (#10) and nuts (#11).
- (2) Make the leg panels (#15) is bended, then to insert legs (#12).
- (3) Connect the leg bases (#16) with legs (#12) using screws (#8).



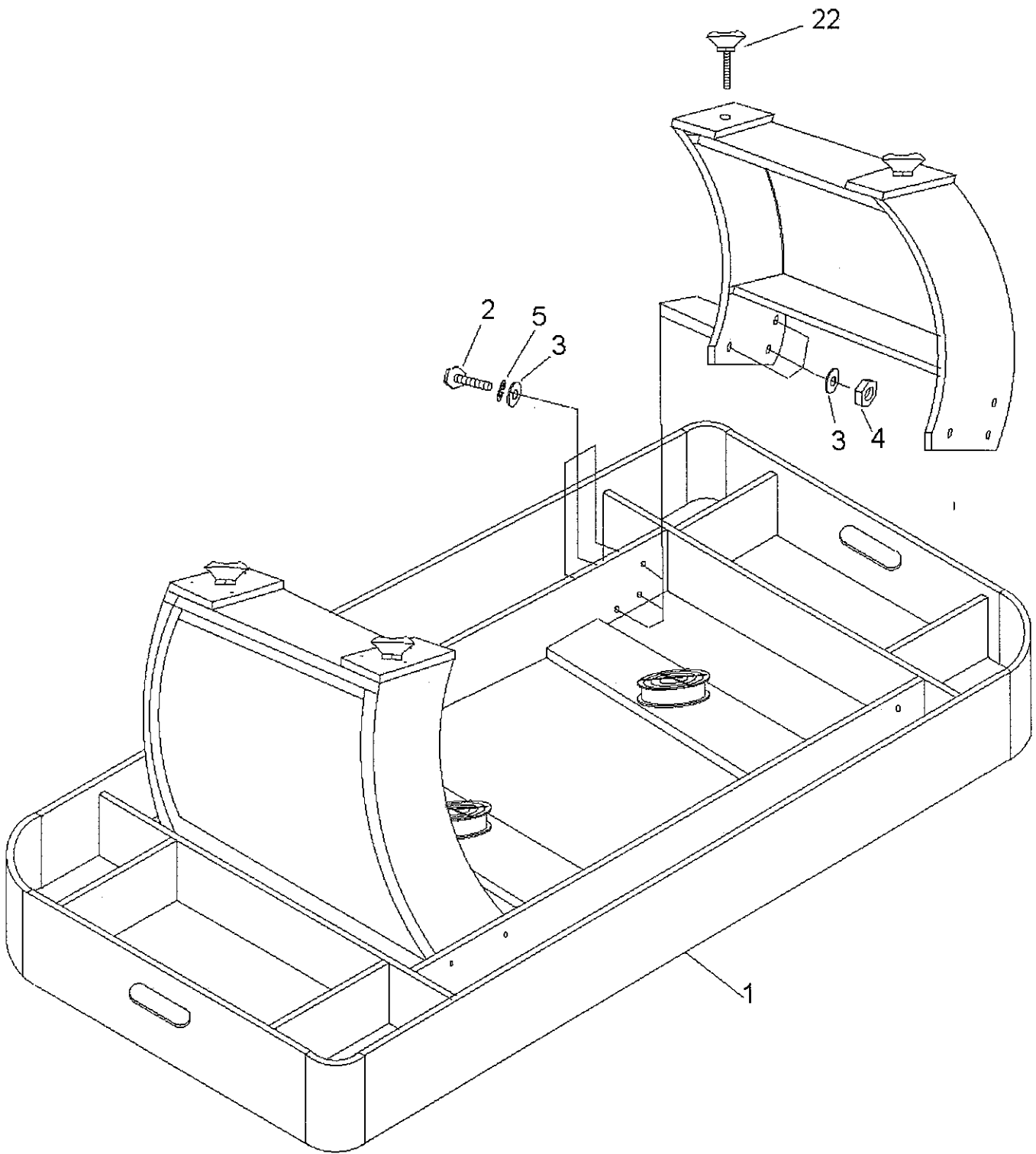
**STEP 2:**

Assemble the legs (#13) follows step 1.



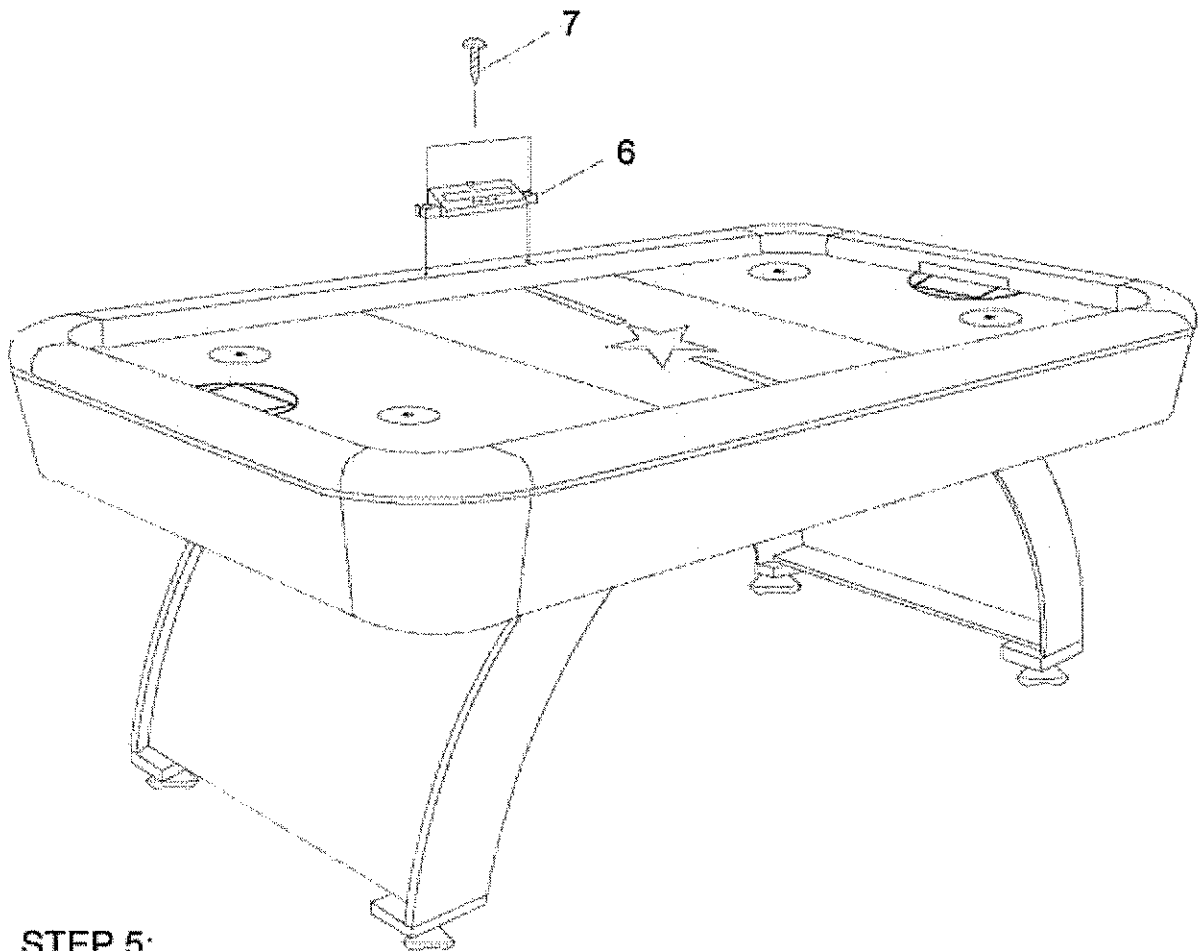
STEP 3:

Connect the whole legs with the main cabinet (#1) by using bolts (#2) with washers (#3), split lock washers (#5) and hex nuts (#4).



**STEP 4:**

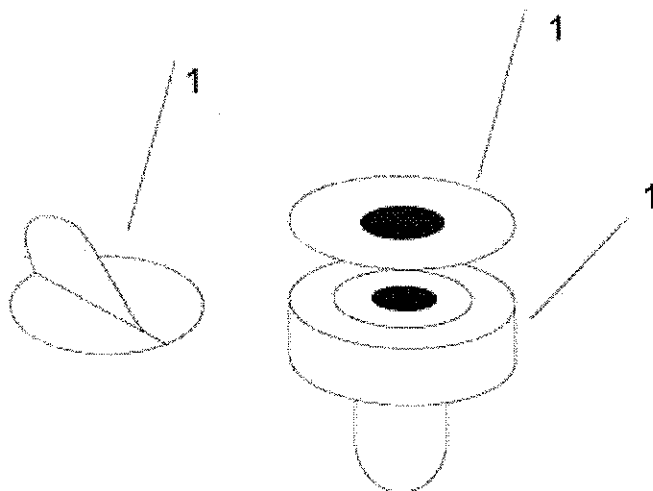
Connect the electric scorer (#6) with two wires, and lock it and top rail together with the screws (#7).



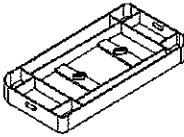
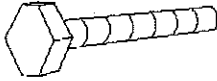
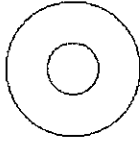
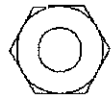


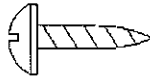

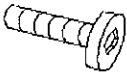
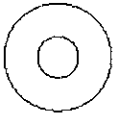



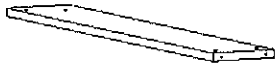

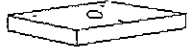
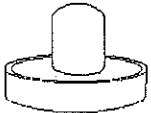

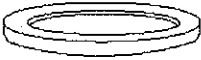

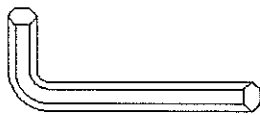
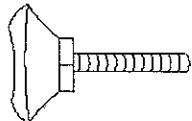

**STEP 5:**

(1) Take off the paper of the felt pad (#18).

(2) Attach the felt pad on the bottom of the striker (#17).



Parts List

<p>#1</p>  <p>MAIN CABINET 1PC</p>	<p>#2</p>  <p>3/8" X 3" BOLT 12PCS</p>	<p>#3</p>  <p>3/8" WASHER 24PCS</p>	<p>#4</p>  <p>3/8" HEX NUT 12PCS</p>
<p>#5</p>  <p>3/8" SPLIT LOCK WASHER 12 PCS</p>	<p>#6</p>  <p>ELECTRIC SCORER 1PC</p>	<p>#7</p>  <p>T4*12MM SCREW 2PCS</p>	<p>#8</p>  <p>2" SCREW 12PCS</p>
<p>#9</p>  <p>1/4" X 2-1/2" BOLT 16PCS</p>	<p>#10</p>  <p>1/4" * 15MM WASHER 16PCS</p>	<p>#11</p>  <p>Nut 16 PCS</p>	<p>#12</p>  <p>RIGHT LEG 2PCS</p>
<p>#13</p>  <p>LEFT LEG 2PCS</p>	<p>#14</p>  <p>STRETCHER 4PCS</p>	<p>#15</p>  <p>LEG PANEL 2PCS</p>	<p>#16</p>  <p>LEG BASE 4PCS</p>
<p>#17</p>  <p>STRIKER 4PCS</p>	<p>#18</p>  <p>FELT PAD 4PCS</p>	<p>#19</p>  <p>2-1/2" PUCK 4PCS</p>	<p>#20</p>  <p>WRENCH 1PC</p>
<p>#21</p>  <p>TOOL 1 PC</p>	<p>#22</p>  <p>LEG LEVER 4 PCS</p>	<p>#23</p>  <p>3" PUCK 4PCS</p>	